

PRODUCT SPECIFICATION

Description: LED Street Light
MODEL No.: MAS-LED-720 120W




Features.

- High brightness, Single module using 84 grain, high power LED.
- Energy Saving, driven by high efficiency constant, Power efficiency more than 90%
- Superior thermal design long life, normal use can reach more than 50,000 hours.
- Strong weather ability, not sensitive to temperature, moisture to the wider.
- It's simple-designed and easy to use.
- Environmental protection. not heavy metals and harmful gas.
- For roads, village roads, mountain roads, residential quarters, parks.



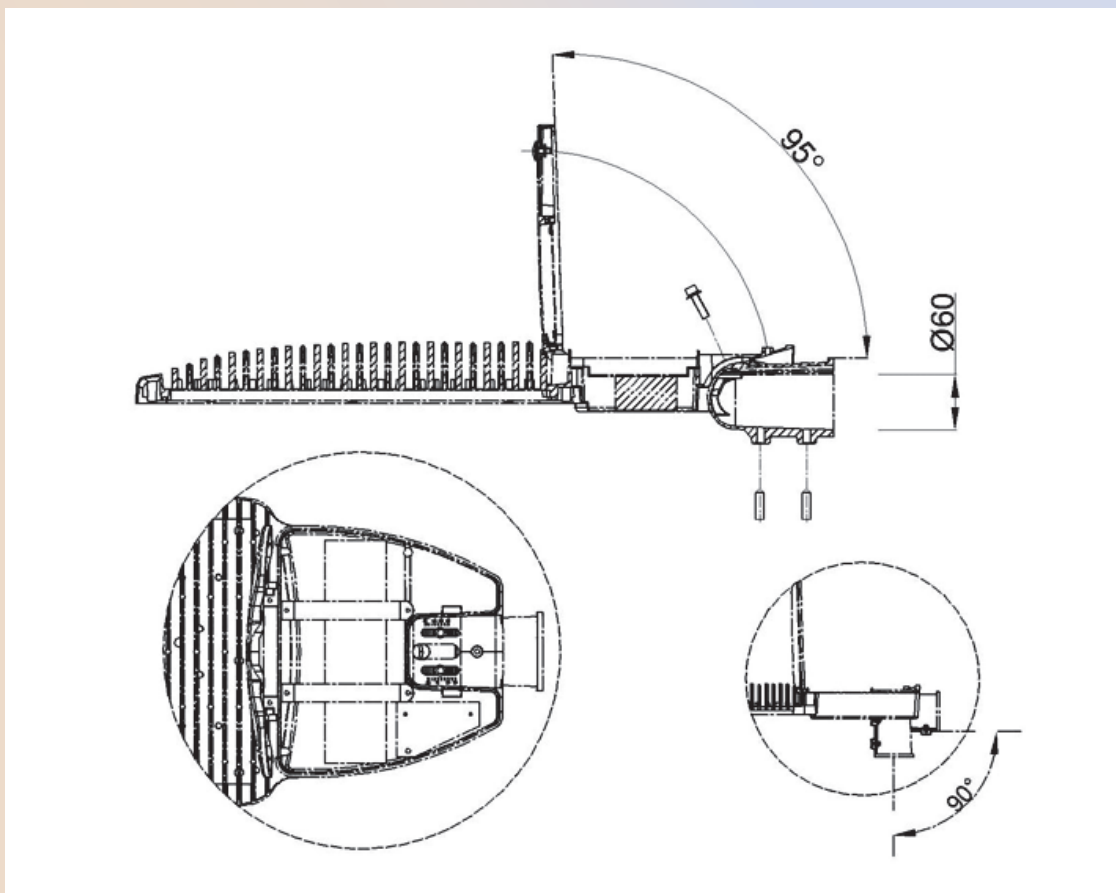
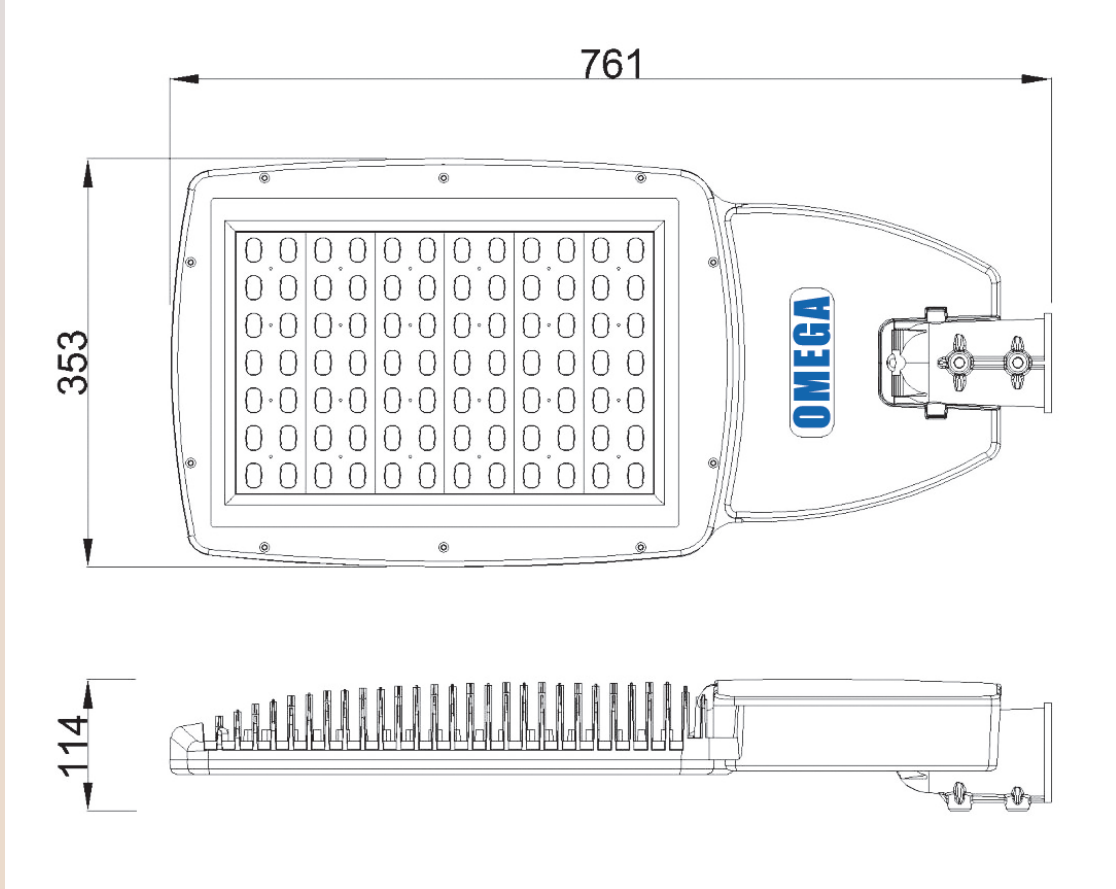
Product Parameters (120w)

ITEM	symbol	Description	UNIT
Picture of real products			
Rated Voltage	VOLT	176 ~ 305AC	V
Power	P	120	W
Frequency	f	47~63	Hz
Luminous flux	Φ	12900	Lm
Light efficiency	η	108	Lm/W
Power Factor	PF	>0.9	PF
Operating Temperature	TOPR	-40~+45 °C	°C
Storage Temperature	TOPR	-20~+60 °C	°C
Protection Level	IP	65	IP
Lighting Angle	θ	Assy:40° X135° Polarized 35°	DEGREE
Light Source	/	Elec-tech brand LED 84pcs	
Brand of driver		Meanwell or Inventronics	
Total current harmonic	THD	<20	%
Correlate Color Temperature	Tc	3500	K
Color Rendering Index	CRI	>70	RA
Number of LED		84	PCS
LED'S Operating Life	LIFE	50000	Hours
Base Type	/	/	/
Start-up time	T	<1.0	S
Switch frequency	n	>5000	/
□ 6000h)	/	>96	%



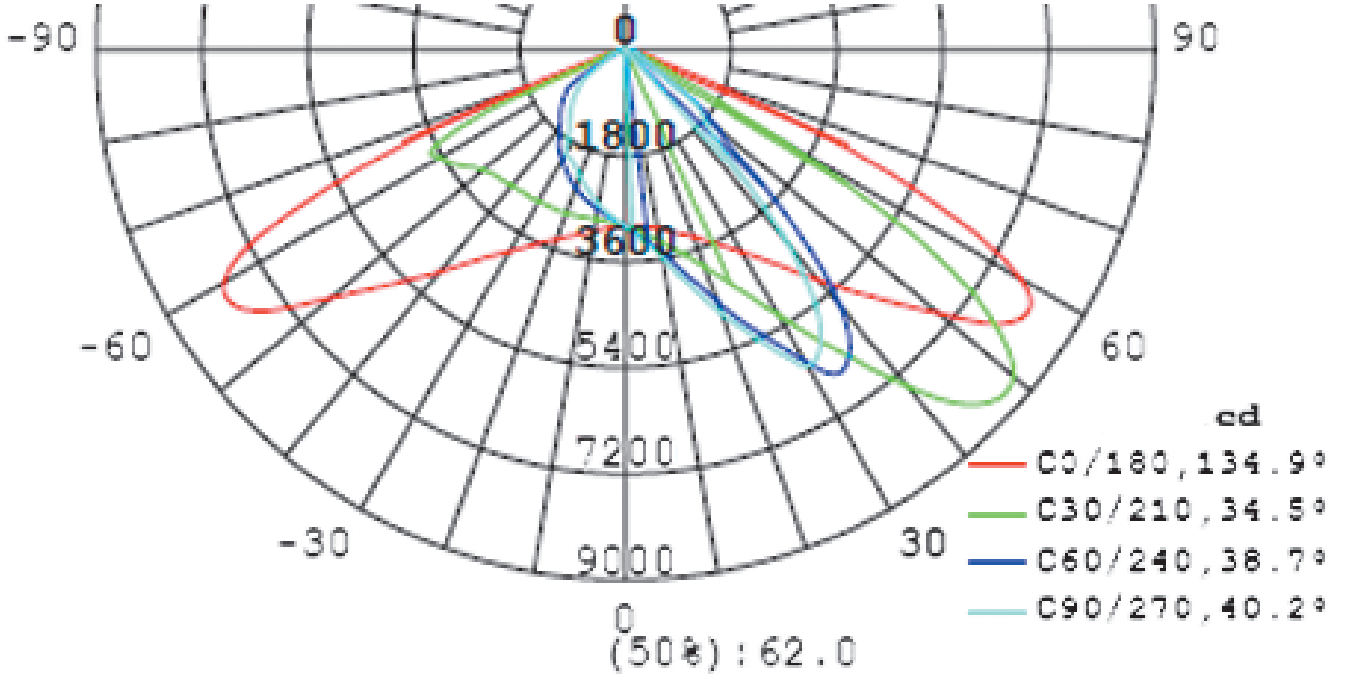
Dimensions

MAS-LED-720 (120w)



Test Report

Light distribution diagram



Packing Size

/W	(Kg)	(mm)	(mm)	(mm)
150	12.4	550x950	775x375x160	1

- Avoid heavy pressure applied to the lamp, otherwise it will affect the stability of the product.
- Do not, for a long time look directly at the luminaire, the lamp light can damage your eyes.
- According to the specification, use the product within the specified input voltage range.
- Non-professionals may not be demolished.
- After opening, please carefully check whether the items are complete, if damaged, please contact the supplier immediately, do not try to use .